

FIG 1

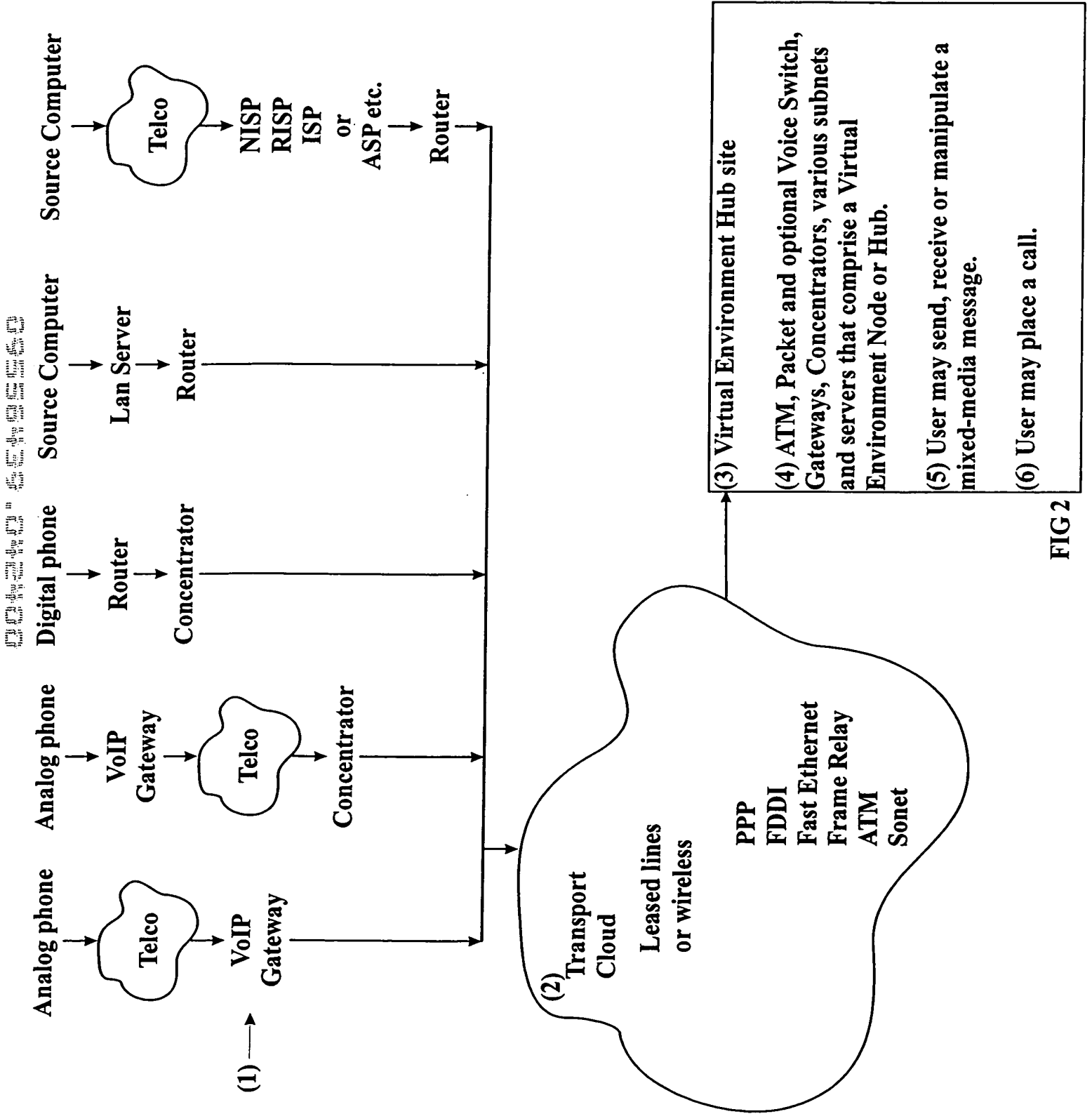


FIG 2

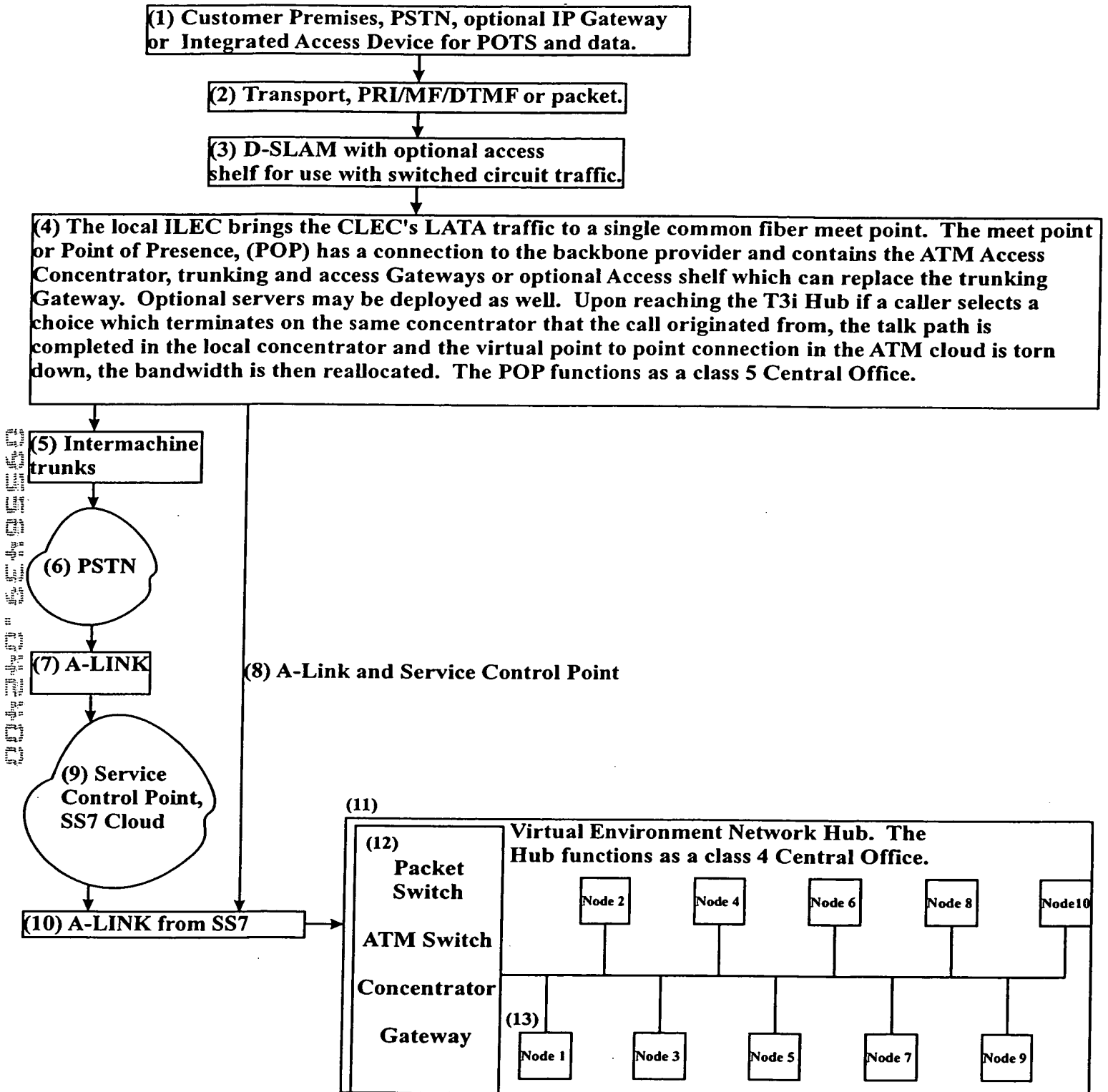


FIG 3

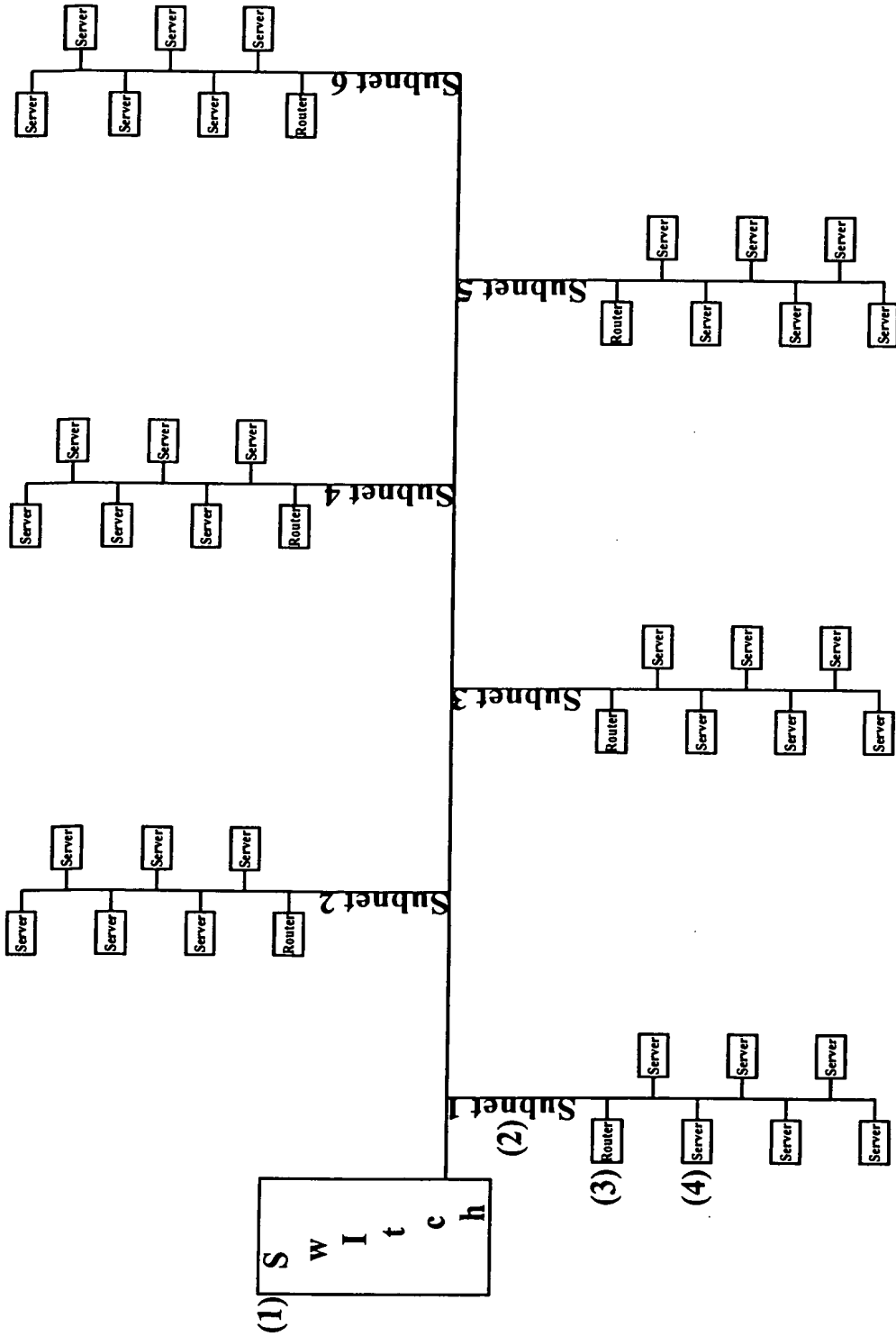


FIG 4

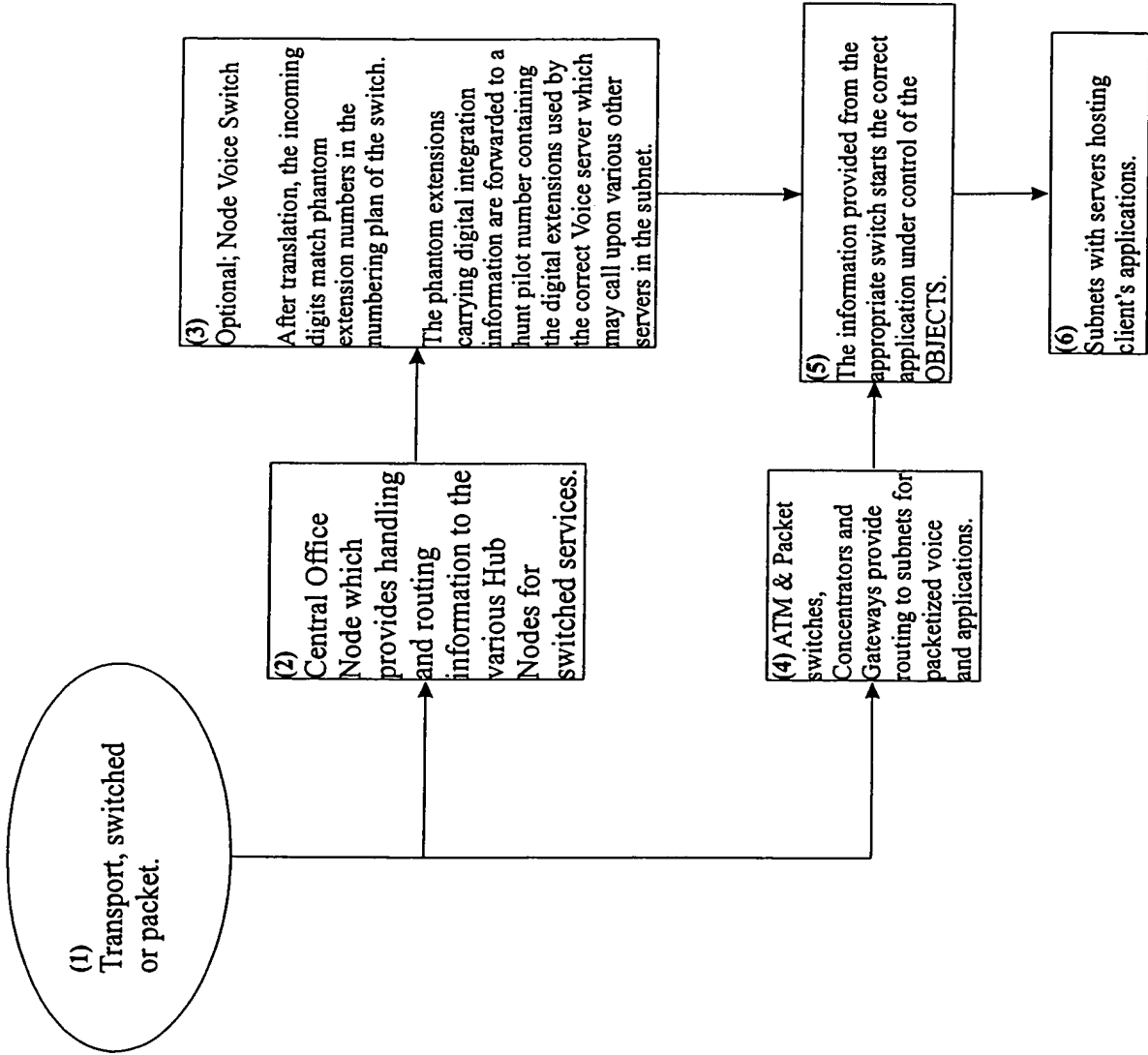


FIG 5

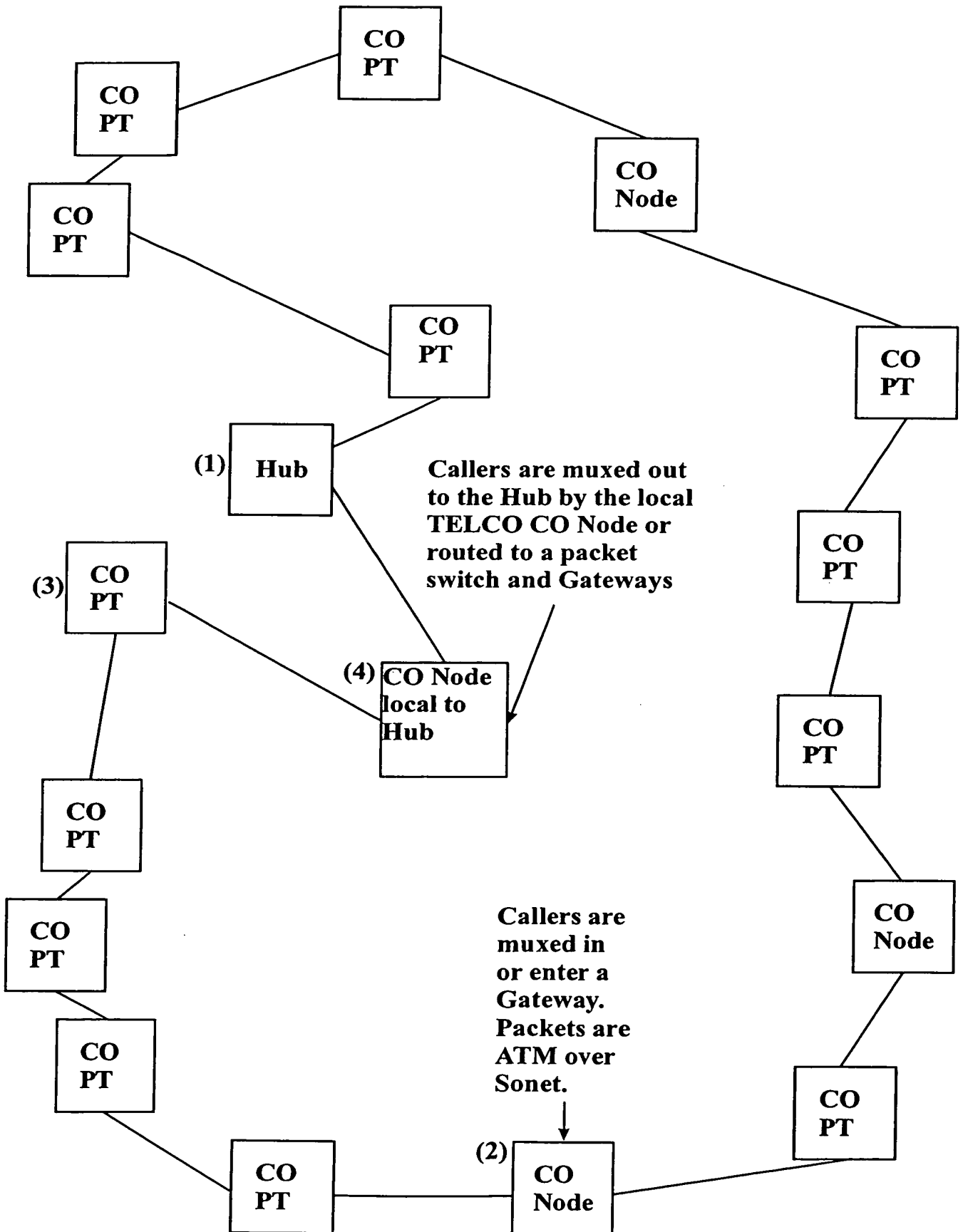


FIG 6

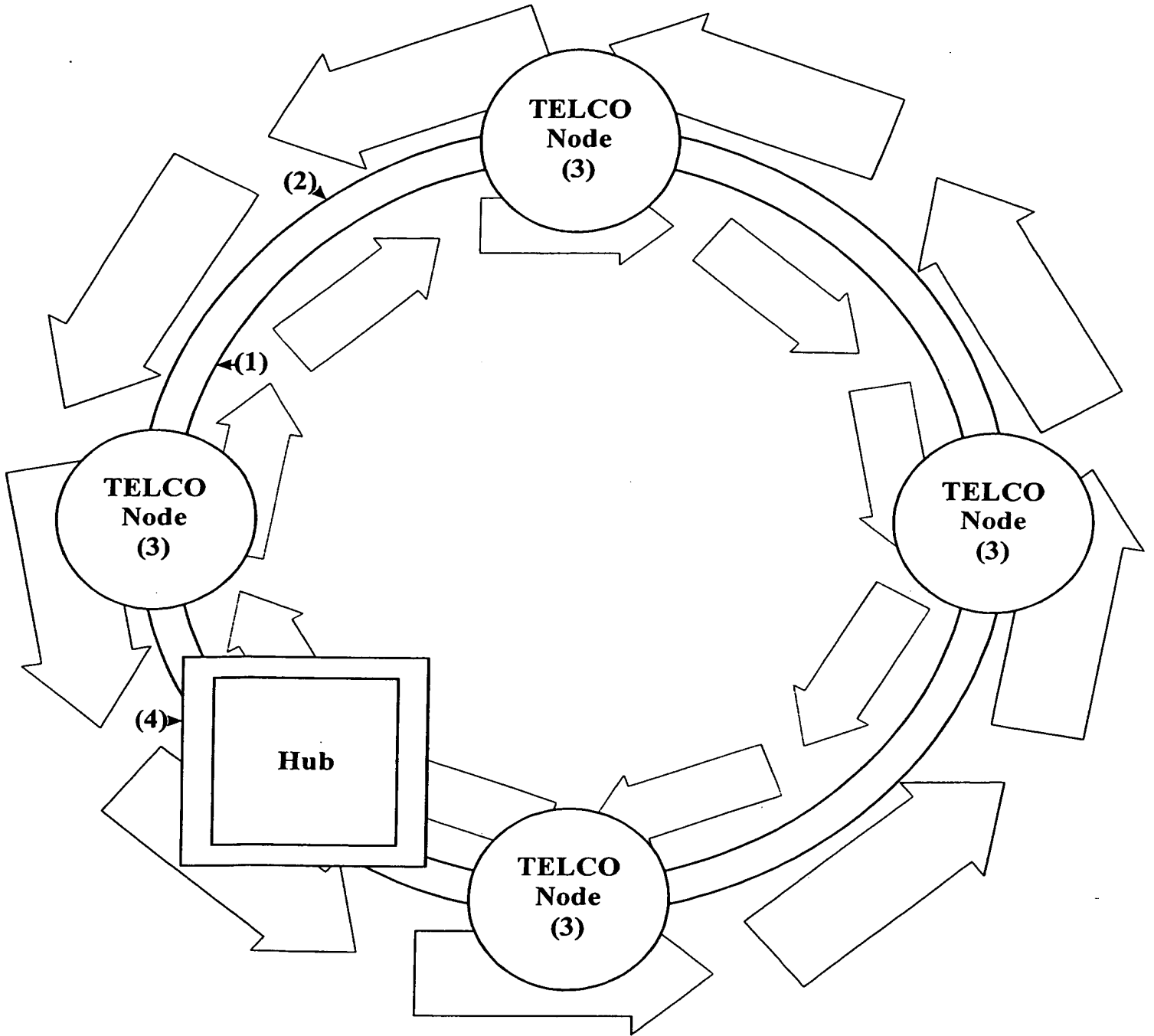


FIG 7

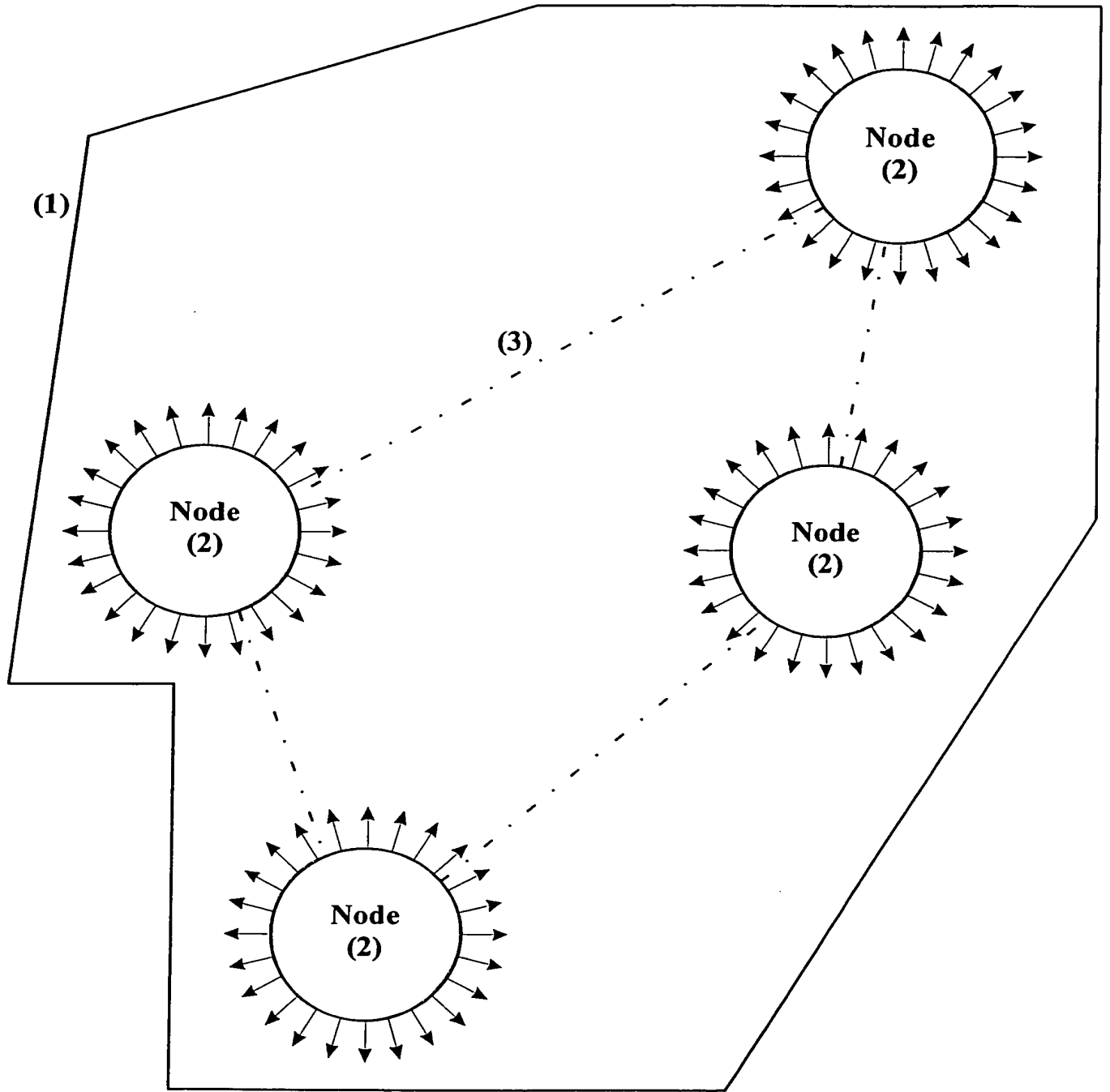


FIG 8

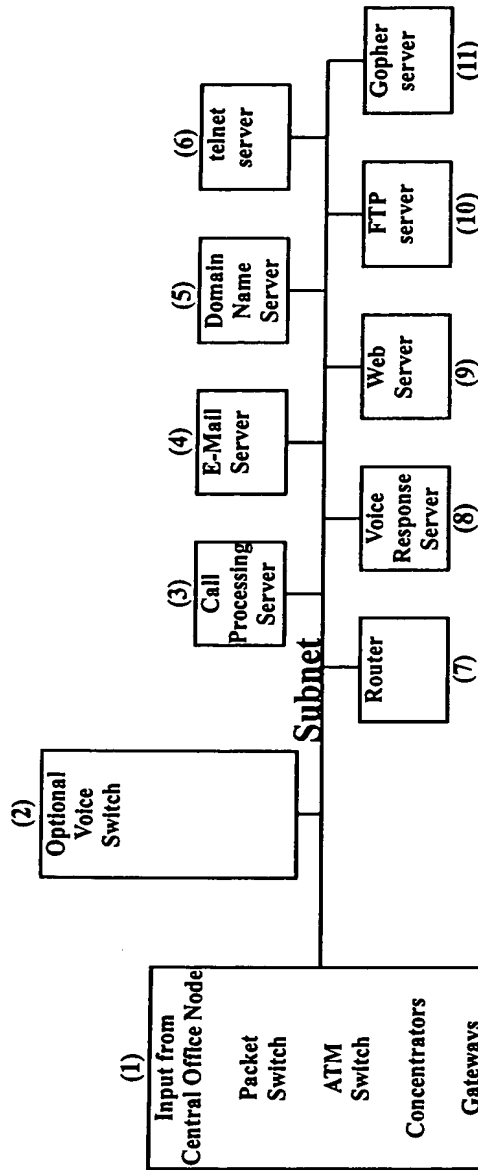


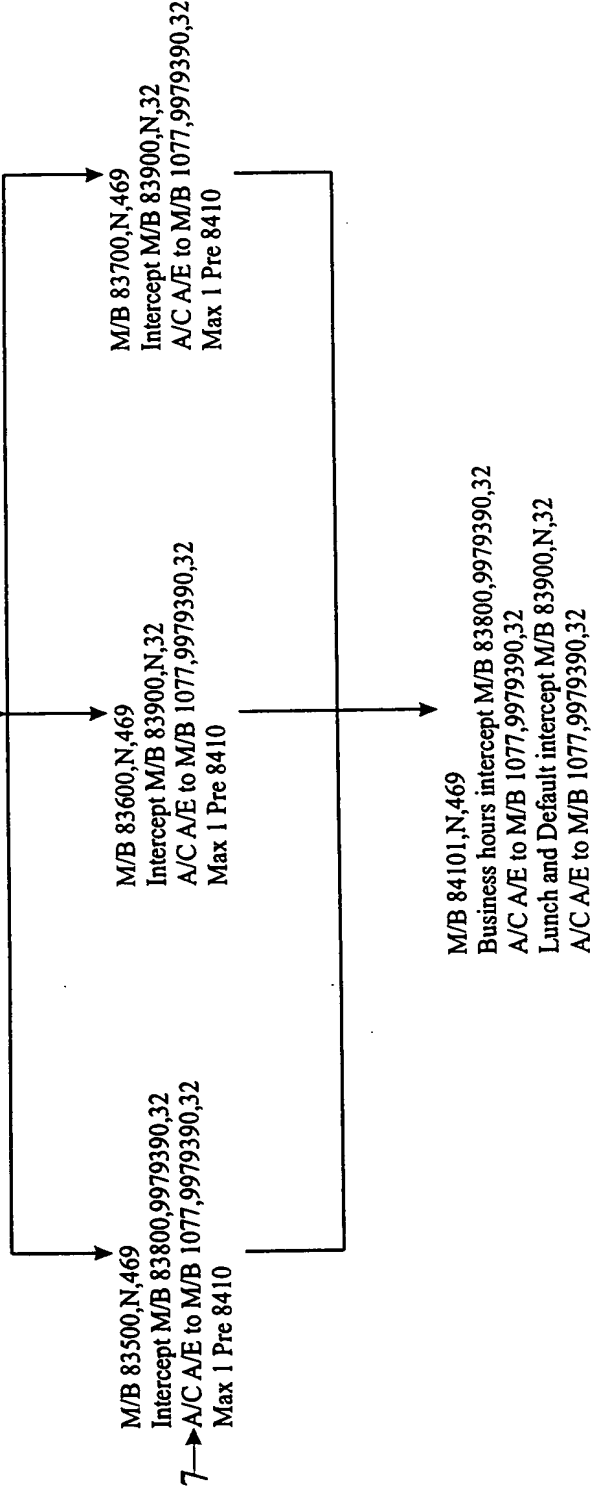
FIG 9

T3i-OBJECTS™

XYZ Company.
 Contact - Name of person
 Telephone (XXX) XXX-XXXX
 Fax (XXX) XXX-XXXX
 Street address
 Suite X
 City, State, Zip

T3i-Object Use Example

- 1 → (XXX) XXX-XXXX
- 2 → M/B 2004,N,468 silent greeting
- 3 → -MTWTF- 08:00-12:00 N/B 83500,N,1
 -MTWTF- 12:01-12:59 N/B 83600,N,1
 -MTWTF- 13:00-17:00 N/B 83500,N,1
 Default N/B 83700,N,1
- 4 → Business hours Intercept M/B 83800,9979390,32
- 5 → A/C A/E to M/B 1077,9979390,32
- 6 → Lunch and Default Intercept M/B 83900,N,32
 A/C A/E to M/B 1077,9979390,32



Application located in Node 1
 Default security code KUNIK or 58645
 Voice Doreen Panico
 User transfer on all trunks. Call forward on R/N/A on
 all trunks.

FIG 10